

PD-8 ECO

KNX - in-ceiling installation, white
 EAN 4007841 087975
 Article number 087975



Magnet zur einfachen Installation



Infrarot-Sensor 360°



Montagehöhe max. 4 m



Präsenz Ø 6 m



Max. 8 m



IP20



KNX



Teach mode



5 years
 Herstellergarantie steinel-professional.de/garantie



CE

Function description

Motion detection, presence detection and light measurement for offices, meeting rooms, passageways and more – the 360° IR presence detectors are sensNORM-compliant and ideal for sensor-based standard requirements in public buildings. With COM1, KNX and DALI-2 IPD interface. With COM1 interface, key input and fully/semi-automatic mode. Motion detection range: Ø 8 or Ø 24 m. Presence detector function with Ø 6 or Ø 7.5 m detection zone. Includes insertable cover caps in a matching colour. For concealed wiring, surface mounting and recessed ceiling installation. Configuration and operation via Smart Remote control or potentiometer. Installation-friendly modular magnetic plug-in connection. LED feedback for safe commissioning. Mounting height max. 4 m. Parallel switching (up to 10 sensors). Switching output: 2000 watt or 500 watt (LED). In black or white.

Technical specifications

With motion detector	Yes	Mounting height	2 – 4 m
Manufacturer's Warranty	5 years	Mounting height max.	4,00 m
Settings via	Smart Remote, ETS software, Bus	Optimum mounting height	2,8 m
With remote control	No	Detection angle	360 °
Version	KNX - in-ceiling installation, white	Capability of masking out individual segments	Yes
PU1, EAN	4007841087975	Electronic scalability	No
Type	Motion and Presence Detector	Mechanical scalability	No
Application, place	Indoors	Reach, radial	Ø 4.5 m (16 m ²)
Application, room	one-person office, function room / ancillary room, Indoors, warehouse	Reach, tangential	Ø 8 m (50 m ²)
Colour	white	Reach, presence	Ø 6 m (28 m ²)
Includes corner wall mount	No	Switching zones	492 switching zones
Installation site	ceiling	Abdeckmaterial Lieferumfang	shrouds
Installation	In-ceiling installation, Ceiling	Functions	Motions sensor, Light sensor, Presence function, Presence detector logic
IP-rating	IP20		

PD-8 ECO

KNX - in-ceiling installation, white
EAN 4007841 087975
Article number 087975



Technical specifications

Ambient temperature	-20 – 50 °C
Material	Plastic
With bus coupling	Yes
Technology, sensors	passive infrared, Light sensor

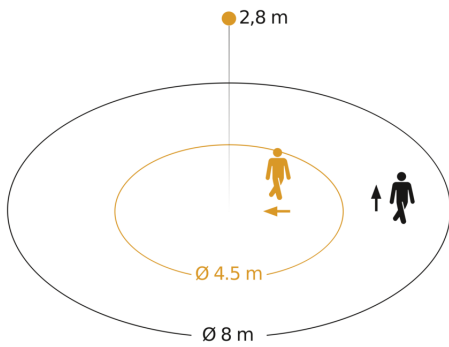
Twilight setting	2 – 800 lx
KNX functions	Light level, Light output 2x, Constant-lighting control, Photo-cell controller, Basic light level function, HVAC output, Logic gate, Presence output, Sabotage protection, Day / night function
Type of interconnection	Master/master
Interconnection via	Cable
Rated current	10 mA

PD-8 ECO

KNX - in-ceiling installation, white
EAN 4007841 087975
Article number 087975

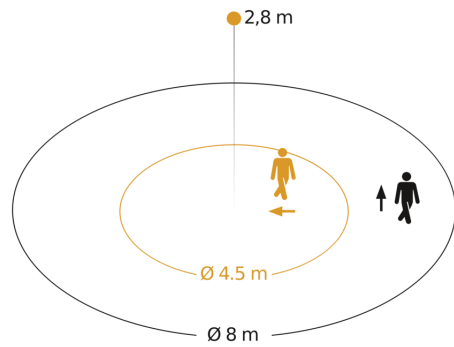


Detection Zone 1



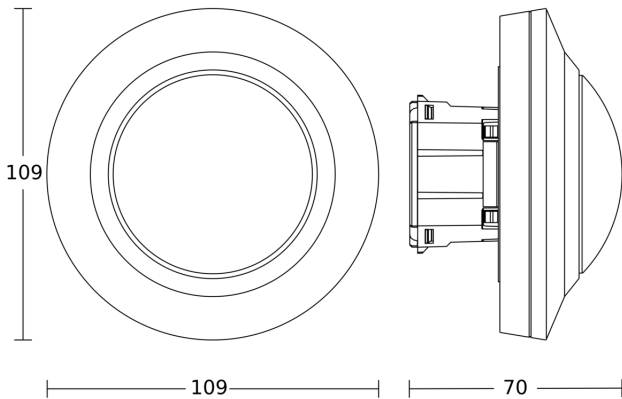
Possible mounting height: 2,00 m - 4,00 m
Orange: radial
Black: tangential

Detection Zone 2



Possible mounting height: 2,00 m - 4,00 m
Orange: radial
Black: tangential

Dimension Drawing 1



Dimension Drawing 2

